

EPIGAP Optronik GmbH

Koepenicker Str. 325b
 D-12555 Berlin
 Fon: +49 (0)30 657637 60
 Fax: +49 (0)30 657637 70
 sales@epigap-optronic.de



Data Sheet

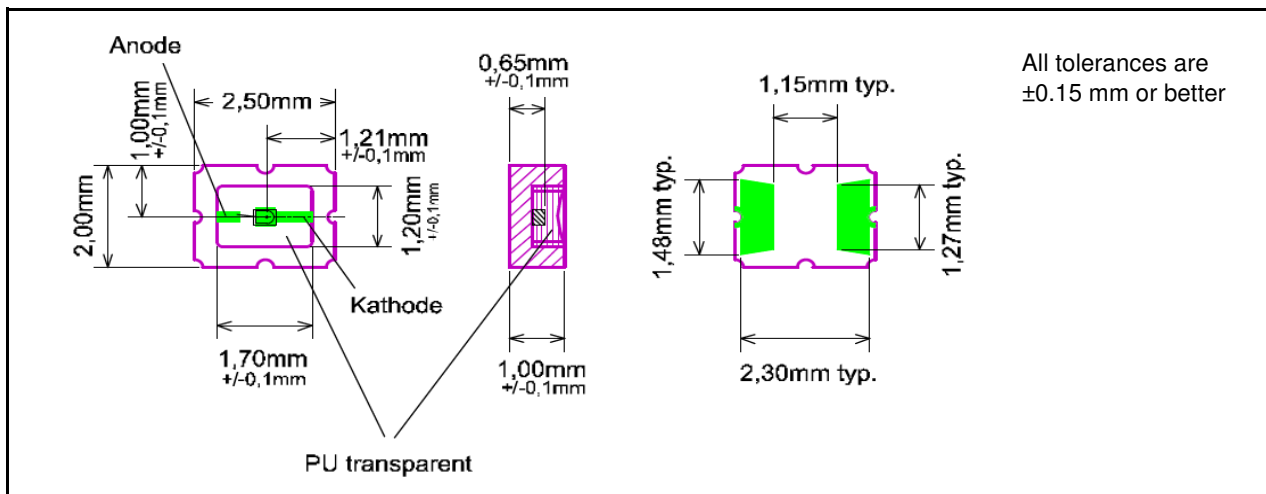
page 1 of 3

Red Point Source Emitter

EOLS-625-199-50

Rev. 07, 2015

Radiation	Type	Case
red	point-source \varnothing 50 μ m	ceramic SMD 2520 (1008)



Maximum Ratings

$T_{amb} = 25^{\circ}\text{C}$, unless otherwise specified

Parameter	Test conditions	Symbol	Value	Unit
Forward current		I_F	5	mA
Reverse voltage	$I_R = 100 \mu\text{A}$	V_R	5	V
Power dissipation		P_D	12	mW
Operating temperature range		T_{amb}	-20 to +85	$^{\circ}\text{C}$
Storage temperature range		T_{stg}	-30 to +100	$^{\circ}\text{C}$
Lead soldering temperature	$t < 5 \text{ s}$, 3 mm from case	T_{slg}	260	$^{\circ}\text{C}$
Junction temperature		T_J	125	$^{\circ}\text{C}$

Optical and Electrical Characteristics

$T_{amb} = 25^{\circ}\text{C}$, unless otherwise specified

Parameter	Symbol	Conditions	Min	Typ	Max	Unit
Forward voltage	V_F	$I_F = 5 \text{ mA}$		1.9	2.4	V
Reverse current	I_R	$V_R = 5 \text{ V}$			100	μA
Radiant power	P_O	$I_F = 5 \text{ mA}$	90		250	μW
Peak wavelength	λ_p	$I_F = 5 \text{ mA}$	595	625	655	nm
FWHM	$\Delta\lambda_{0,5}$	$I_F = 5 \text{ mA}$		15		nm



We reserve the right to make changes to improve technical design and may do so without further notice. Parameters can vary in different applications. All operating parameters must be validated for each customer application by the customer.

EPIGAP Optronik GmbH

Koepenicker Str. 325b
D-12555 Berlin
Fon: +49 (0)30 657637 60
Fax: +49 (0)30 657637 70
sales@epigap-optronic.de



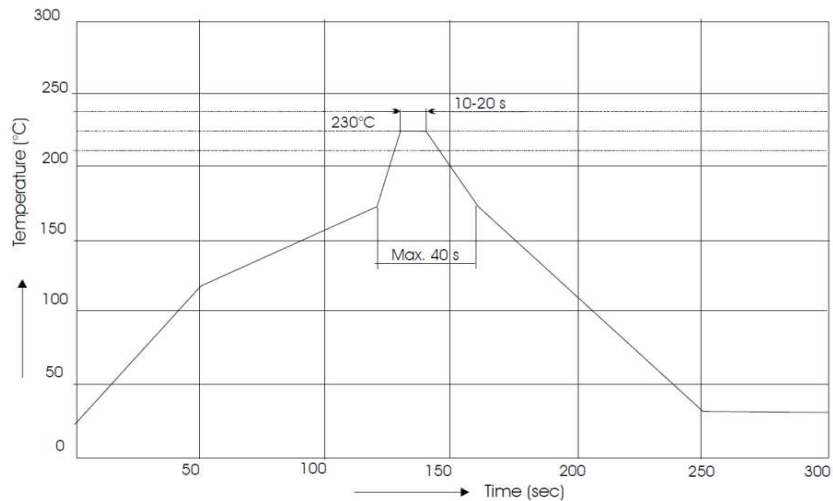
Data Sheet

Red Point Source Emitter

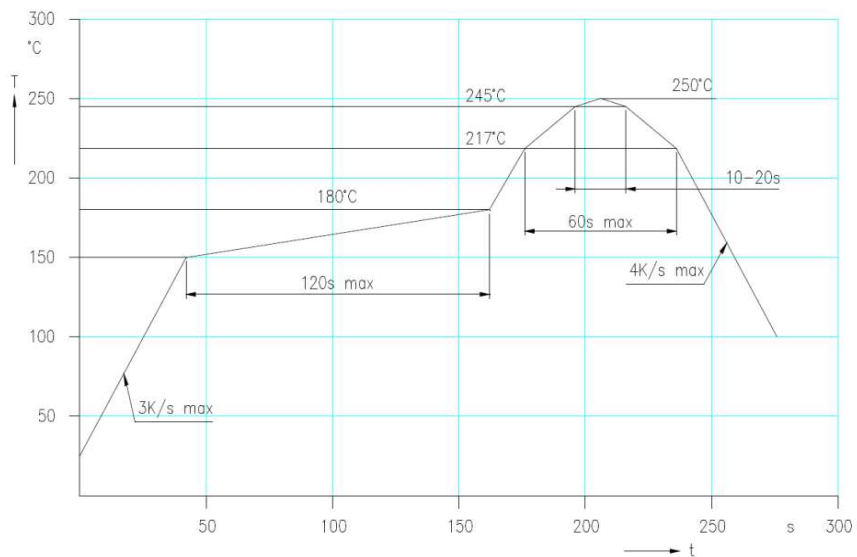
EOLS-625-199-50

page 2 of 3
Rev. 07, 2015

IR reflow soldering profile



IR reflow soldering profile for lead free soldering



Manual soldering:
max power of iron 25 W / 3 s /
300°C



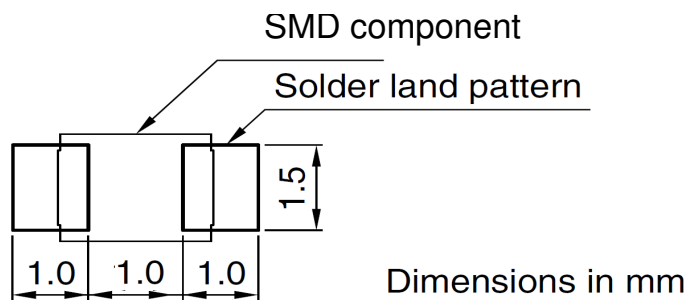
We reserve the right to make changes to improve technical design and may do so without further notice. Parameters can vary in different applications. All operating parameters must be validated for each customer application by the customer.

Data Sheet

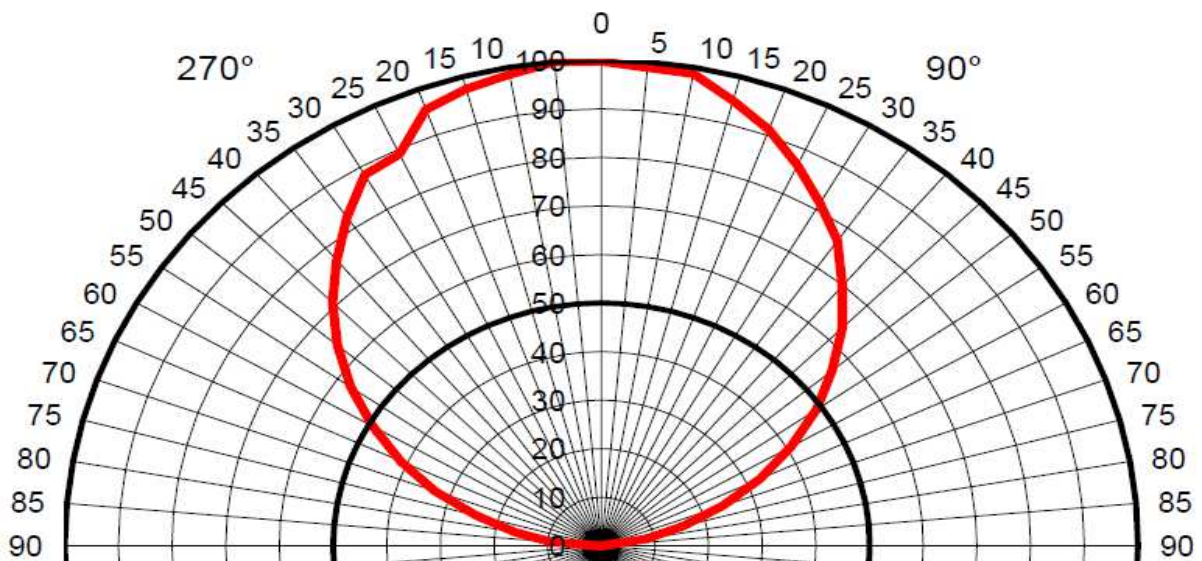
Red Point Source Emitter

EOLS-625-199-50

Recommended solder pad geometry



Radiation pattern



Viewing angle 110°

Art. No. 133 092



We reserve the right to make changes to improve technical design and may do so without further notice. Parameters can vary in different applications. All operating parameters must be validated for each customer application by the customer.